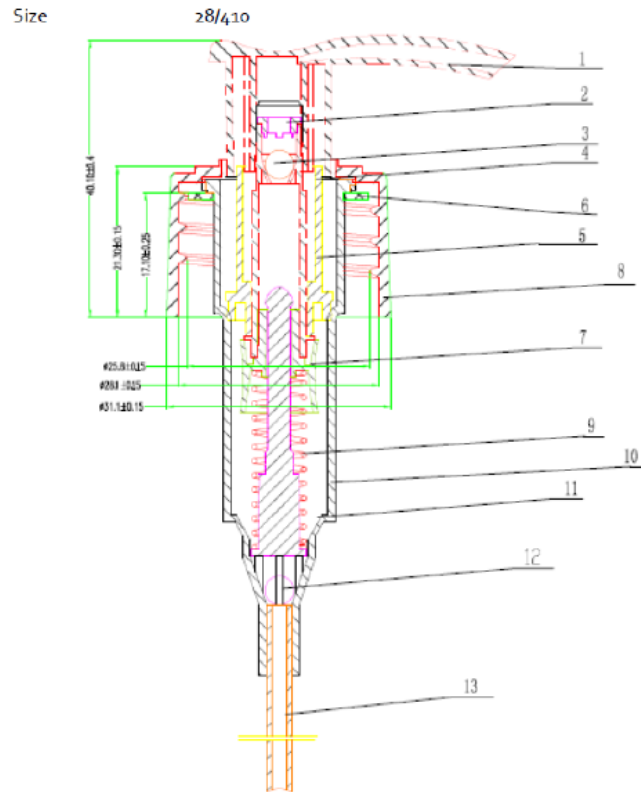


G Baldwin & Co

PURVEYORS OF NATURAL PRODUCTS SINCE 1844

28mm PUMP TOP Technical Diagram



13	Dip tube	HDPE
12	Ball	GLASS
11	Stem insert	LDPE
10	Housing	PP
9	Spring	304SS
8	Closure	PP
7	Lower piston	LDPE
6	Gasket	PE
5	Collar	PP
4	Up piston	POM
3	Ball	GLASS
2	Cup	PP
1	Actuator	PP
No.	Name	Material