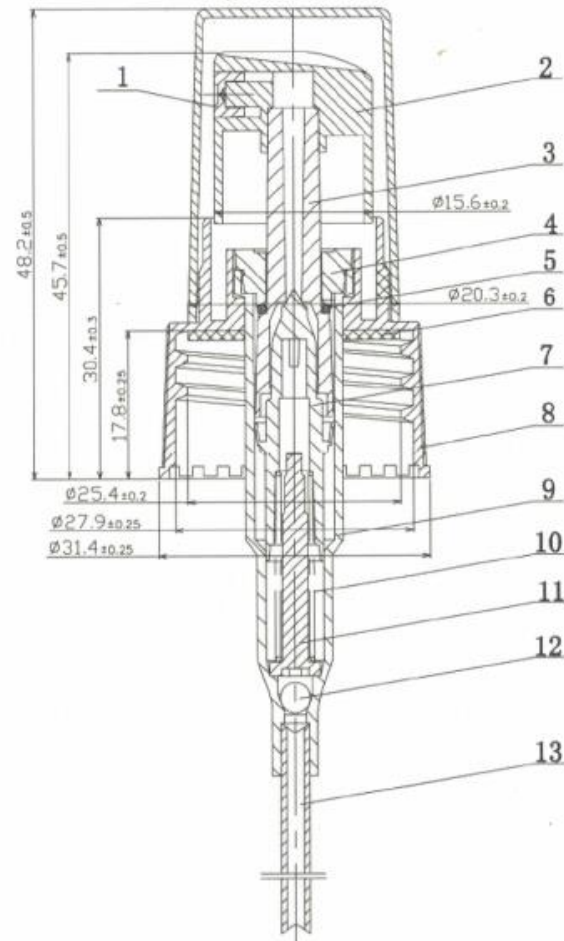


G Baldwin & Co

PURVEYORS OF NATURAL PRODUCTS SINCE 1844

28mm SPRAY ATOMISER Technical Diagram



13	Dip tube	PE	1
12	Ball	GLASS	1
11	Matting	PE	1
10	Spring	1Cr18Ni9Ti	1
9	Housing	PP	1
8	Closure	PP	1
7	Lower piston	LDPE	1
6	Gasket	PE	1
5	Gasket	RUBBER	1
4	Collar	PP	1
3	Up piston	LDPE	1
2	Actuator	PP	1
1	Nozzle	POM	1
No	Name	Material	Quantity
Name		280FSW-200E	
Design		Scale	2 : 1
Approve		Date	2012.10
COMPANY			