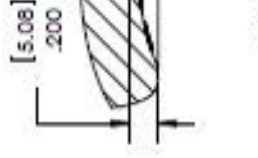
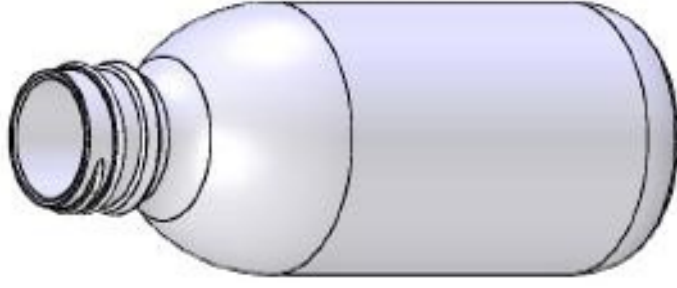


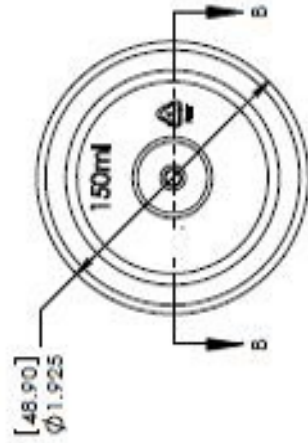
DETAIL A
SCALE 1.25 : 1



SECTION B-B
SCALE 1 : 1

GBaldwin & Co

PURVEYORS OF NATURAL PRODUCTS SINCE 1844



Neck Finish: 28mm ROPP

© Alpha Packaging Inc.
Notes:

Min Thk
TBD

Weight
18 Gms ± 1

Revisions

Neck Dimension:

- T ± 1.071 ± 0.10
- E ± .976 ± 0.10
- I ± .532 ± 0.13
- L ± .850 ± 0.10
- S ± .098 ± 0.15

UNLESS OTHERWISE SPECIFIED
TOLERANCES: DECIMAL ± .050 (1.07)
ANGULAR ± 1°
DIMENSIONS ARE IN INCHES (METRIC)
APPROXIMATE

Overflow Capacity: 171 ml ± 6

SCALE: 1/1 Quantity: SCT Date: 06/23/10

150ml PHARMA SYROP,
28-ROPP CT, PET (5.10z)

SIZE (DWG. NO.):
B 150PS28R

MATERIAL:
PET

SHEET 1 OF 1