



UNLESS OTHERWISE STATED

These are Mean Dimensions.  
Tolerance  $\pm 0.2\text{mm}$

DRAWING No. 37mm PS706 (15ml)

DRAWN SG CHECKED DATE 15/08/05

TITLE Threaded Base (Use with 47mm PS707 15ml)

I

15/08/05

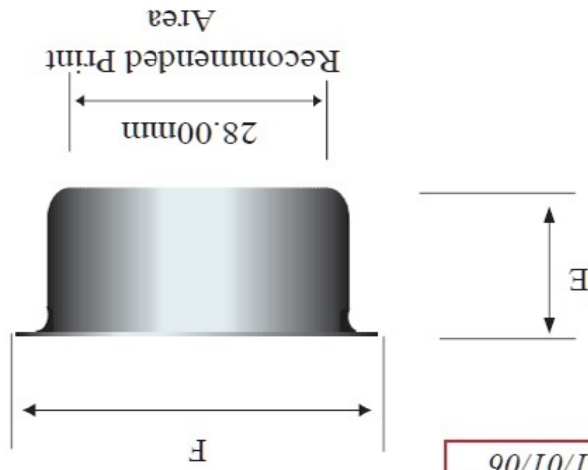
MATERIAL. 0.27mm Aluminium

ISSUE

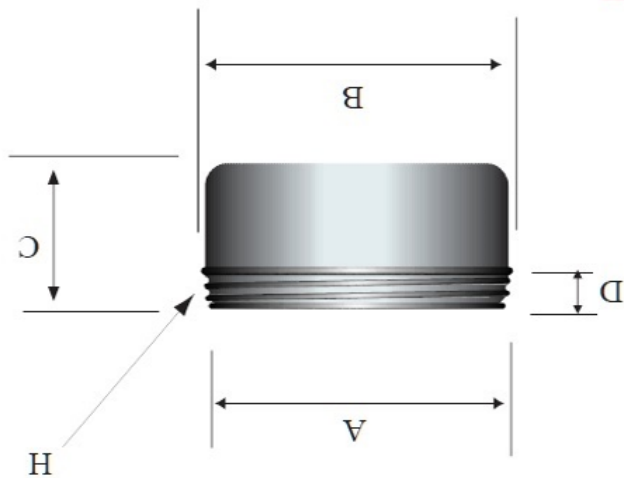
DESCRIPTION

DATE

CAP No	A	B	C	D	E	F	G	H
37mm	37.75	$38.86 \pm 0.3$	$18.5 \pm 0.3$	8.0	$18.25 \pm 0.3$	$42.5 \pm 0.3$	N/A	10 TPI



Sign S Goshing Date 11/01/06  
UNCONTROLLED COPY  
QUALITY SYSTEM



**G Baldwin & Co**  
PURVEYORS OF NATURAL PRODUCTS SINCE 1844