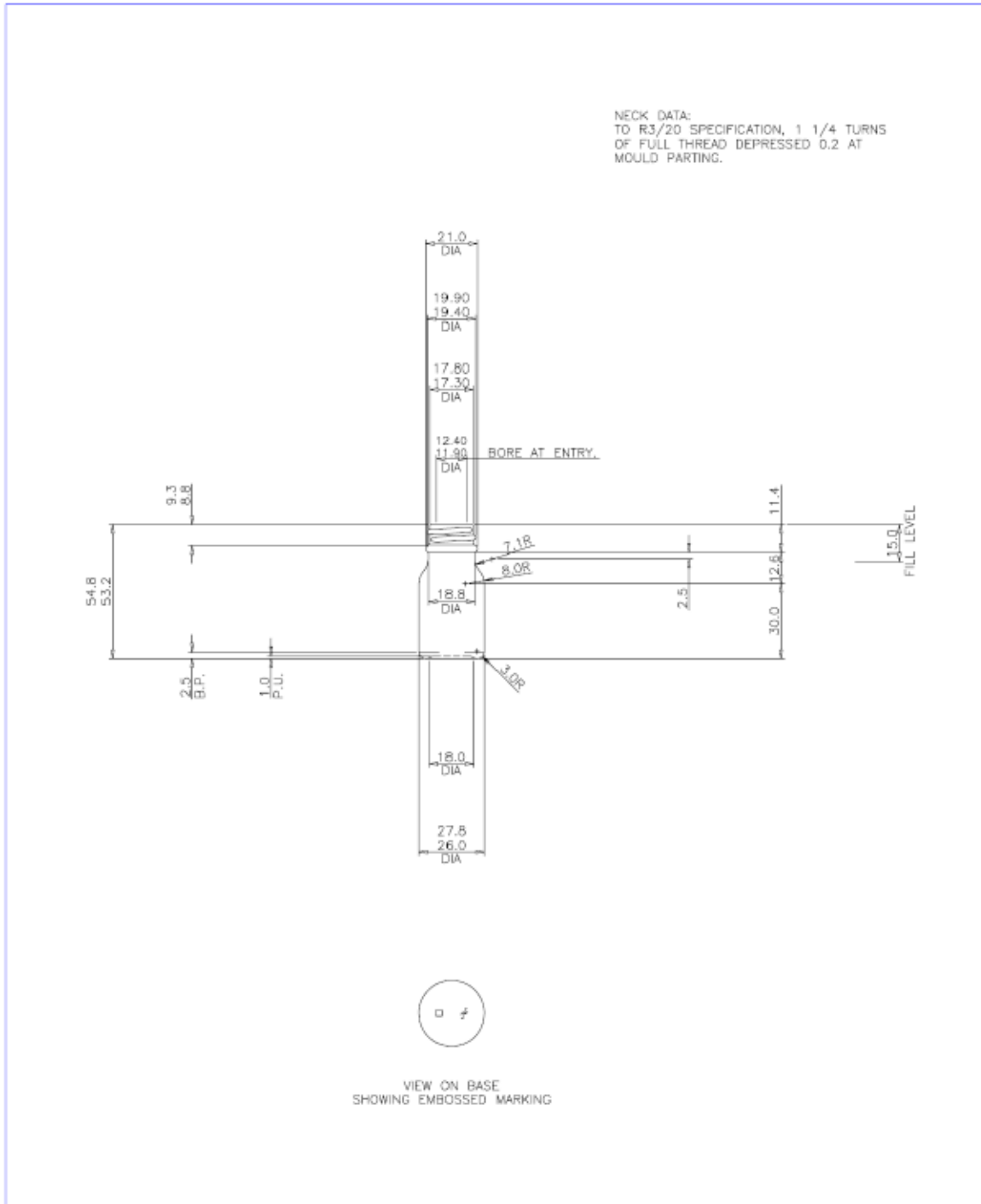


BETA GLASS BOTTLE 10ML Technical Diagram



SCALE	1:1 (A2)	DESIGNER	DH	10ml Winchester	
DATE	14/07/00	CHECKED	DA		
NECK FINISH	R3/20	A) BOTTLE NAME 10ml WINCHESTER WAS 12.5ml AMBER ROUND.		OE 04/05/78	NECK REF. No.
APPROX. WEIGHT	25 g	B) BORE DIAMETER REMOVED.		DAG 30/06/81	1A2/D4
FILL POINT	15.0mm down	C) BORE TOLERANCE ADDED.		DA 07/11/83	JOB No.
CAPACITY TO FILL POINT	12.5ml	D) WEIGHT 25g WAS 24g, BRMFULL CAPACITY 14.2ml WAS 13.9ml.		DH 12/06/85	2848
CAPACITY TOLERANCE (BULK) ±	1.4ml				
CAPACITY BRMFULL	14.2ml				
Note: Filling point measured from top verbiety inside neck unless otherwise specified.		Untoleranced dimensions are for mould making guidance only and should be regarded as approximate.		W0200010A	
					DRAWING No.
					B3072/D
DIMENSIONS IN MILLIMETRES					