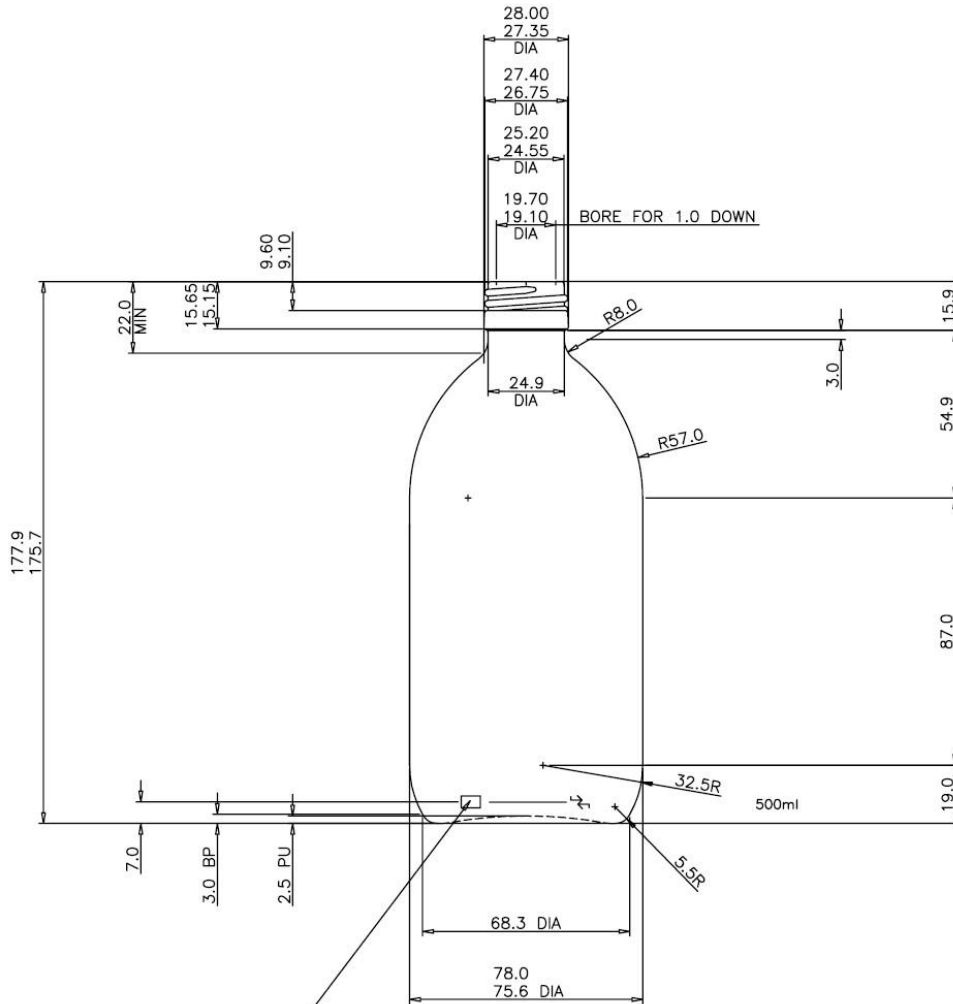


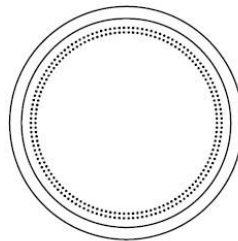
G Baldwin & Co

PURVEYORS OF NATURAL PRODUCTS SINCE 1844

SYRUP GLASS BOTTLE (500ml) Technical Drawing



MOULD No & TRADE MARK
EMBOSSSED AS SHOWN
NOMINAL SIZE TO BE
EMBOSSSED ON
OPPOSITE SIDE



VIEW ON BASE
STANDING AREA EMBOSSSED
WITH KNURLING



PURVEYORS
of NATURAL
PRODUCTS
SINCE 1844