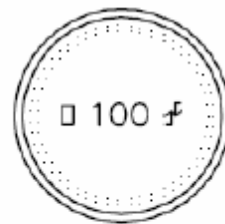
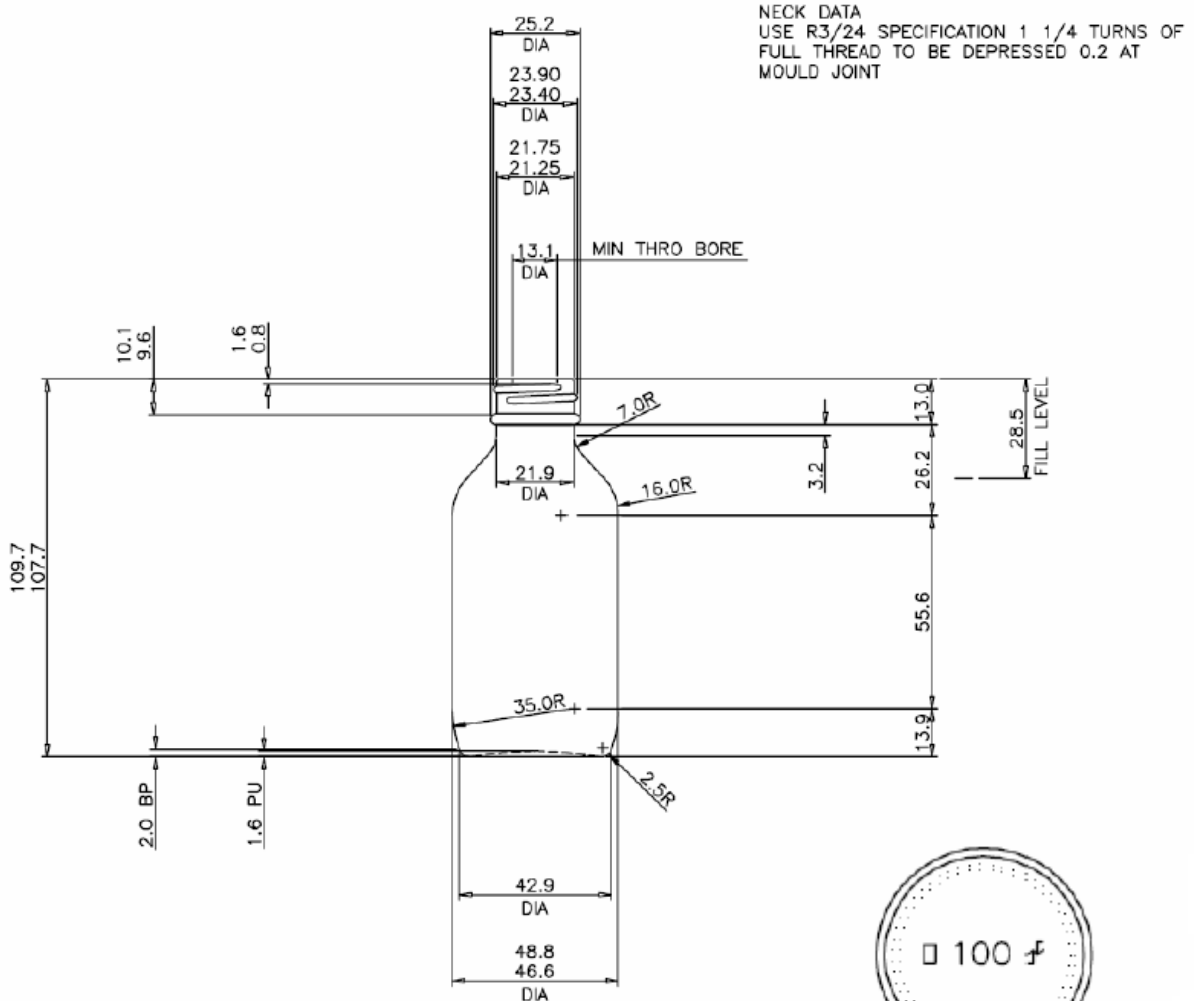


# G Baldwin & Co

PURVEYORS OF NATURAL PRODUCTS SINCE 1844

## WINCHESTER WIDE MOUTH BOTTLES (100ml)

### Technical Diagram



VIEW ON BASE  
SHOWING EMBOSSED MARKING  
STANDING AREA EMBOSSED  
WITH KNURLING

SCALE	1:1 (A2)	DESIGNER	DA	100ml Winchester	
DATE	01/03/02	CHECKED	AH	REV.N A) WEIGHT INCREASED TO 90g WAS 85g	DAQ 19/10/83
NECK FINISH	R3/24 - GF323A	REV.N B) NECK SPECIFICATION MODIFIED TO SUIT BS 1918		DA 24/02/89	NECK REF. No. <b>1A4/A1</b>
APPROX. WEIGHT	90 g				JOB No. <b>2733</b>
FILL POINT	28.5 down				DRAWING No. <b>B4047B</b>
CAPACITY TO FILL POINT	106.0 ml				
CAPACITY TOLERANCE (BULK) ±	2.5 ml				
CAPACITY BRIMFULL	113.0 ml				
Note: Filling point measured from top centrally inside neck unless otherwise specified.		Untoleranced dimensions are for mould making guidance only and should be regarded as approximate.		<b>W3240100A</b>	
DIMENSIONS IN MILLIMETRES					