

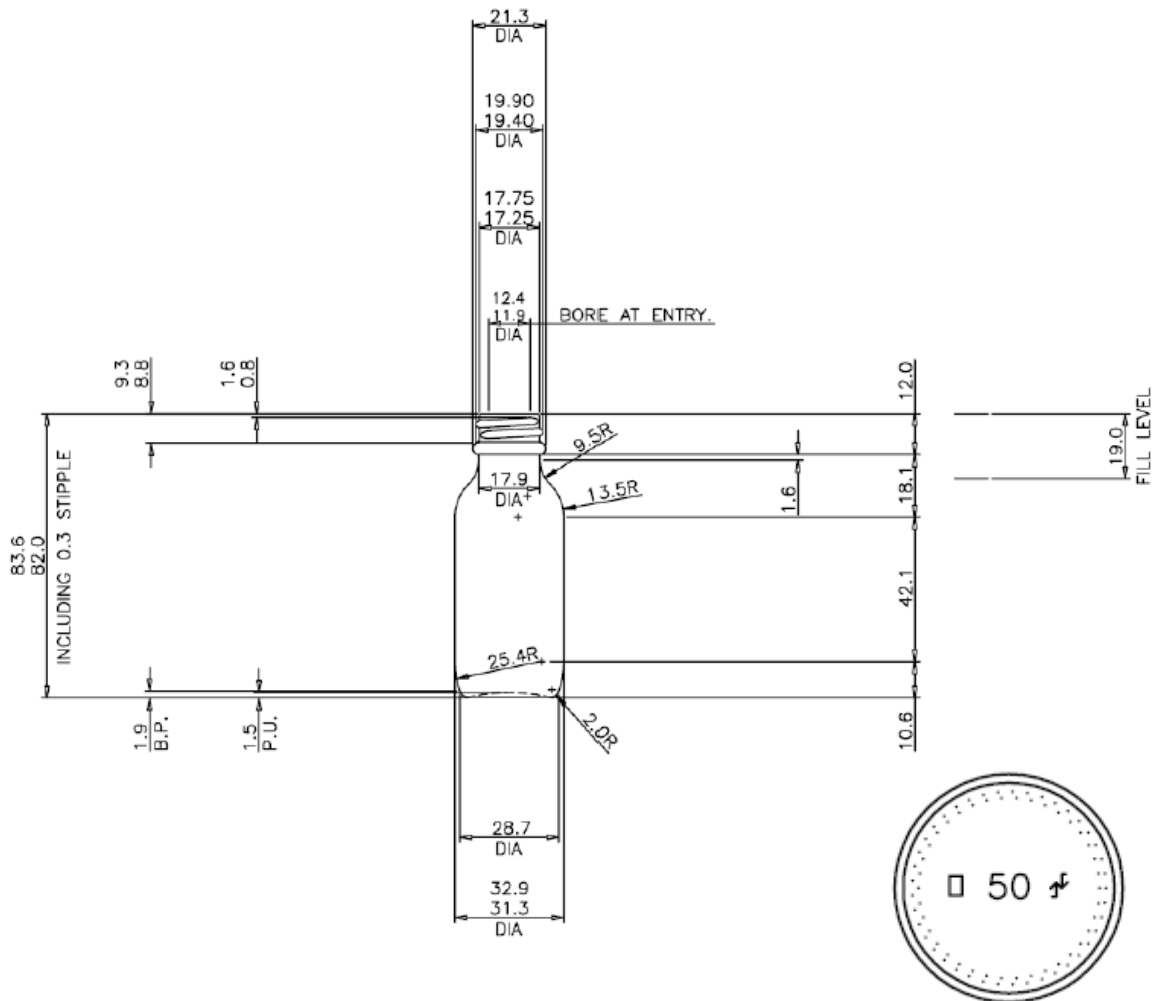
G Baldwin & Co

PURVEYORS OF NATURAL PRODUCTS SINCE 1844

WINCHESTER WIDE MOUTH BOTTLES (50ml)

Technical Diagram

NECK DATA:
TO R3/20 SPECIFICATION, 1 1/4 TURNS
OF FULL THREAD DEPRESSED 0.2 AT
MOULD PARTING.



VIEW ON BASE
SHOWING EMBOSSED MARKING
STANDING AREA EMBOSSED
WITH KNURLING

SCALE	1:1 (A2)	DESIGNER	DA	50ml Winchester	
DATE	22/10/01	CHECKED	AH		
NECK FINISH	R3/24	REV.N B)	RE-DRAWN METRIC	GE 31/1/72	NECK REF. No.
APPROX. WEIGHT	59 g	REV.N C)	WEIGHT INCREASED FROM 54g TO 59g	GE 14/9/79	1A4/A1
FILL POINT	25.5 down	REV.N D)	NECK SPECIFICATION MODIFIED TO SUIT BS 1918	DA 24/02/89	JOB No.
CAPACITY TO FILL POINT	54.0 ml				2725
CAPACITY TOLERANCE (BULK) ±	1.7 ml				DRAWING No.
CAPACITY BRIMFULL	59.3 ml				B2429D
Note: Filling point measured from top centrally inside neck unless otherwise specified.		Untoleranced dimensions are for mould making guidance only and should be regarded as approximate.		W0240050A	