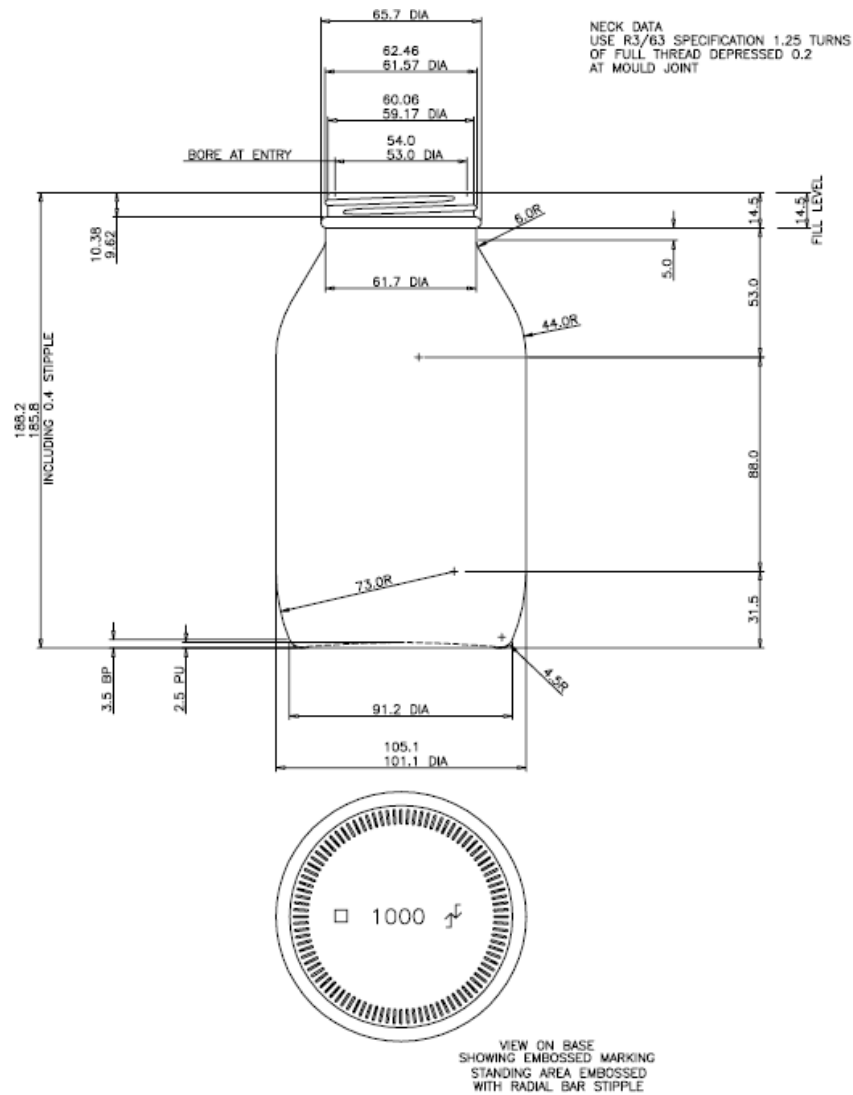


G Baldwin & Co

PURVEYORS OF NATURAL PRODUCTS SINCE 1844

WIDE MOUTH GLASS JAR 1000ML TECHNICAL DIAGRAM



SCALE	1:1 (A2)	DESIGNER	DA	1000ml Powder			
DATE	07/02/02	CHECKED	AH				
NECK FINISH	R3/63	REV.N A) BORE SPECIFICATION ADDED		GP 16/09/70	NECK REF. No.		
APPROX. WEIGHT	535 g	REV.N B) BRIMFULL CAPACITY WAS 1077.0ml NOW DECREASED TO 1075.0ml		GE 25/03/71	4A16/A1		
FILL POINT	14.5 down	REV.N C) RADIAL BAR STIPPLE REPLACED KNURLING ON BASE		(AH) DA 9/10/02	JOB No.		2796
CAPACITY TO FILL POINT	1045.0 ml				DRAWING No.		B2583C
CAPACITY TOLERANCE (BULK) ±	6.3 ml						
CAPACITY BRIMFULL	1075.0 ml						
Note: Filling point measured from top centrally inside neck unless otherwise specified.		Underscored dimensions are for mould making guidance only and should be regarded as approximate.		This drawing and the design of the article is the drawing and the design of the property of (Baldwin Clark plc), Rotherham. Neither the drawing nor the design shall be copied without the previous written authority of Baldwin Clark plc.			
DIMENSIONS IN MILLIMETRES							