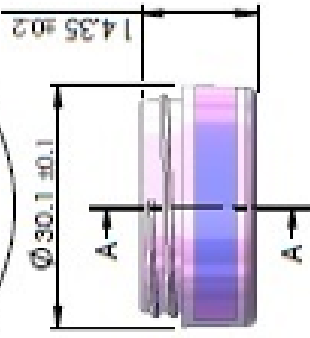
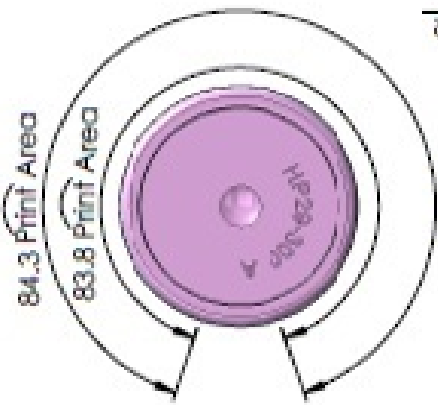
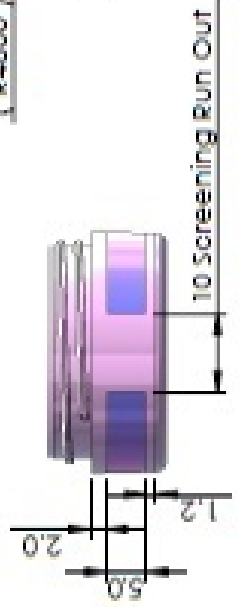
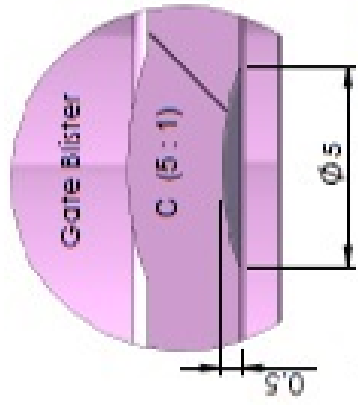
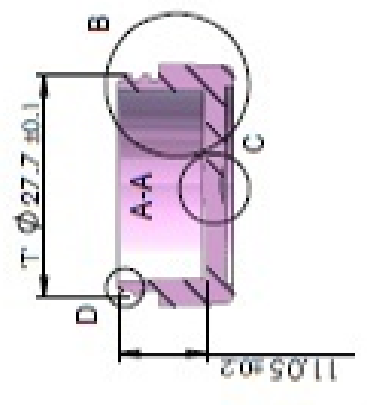
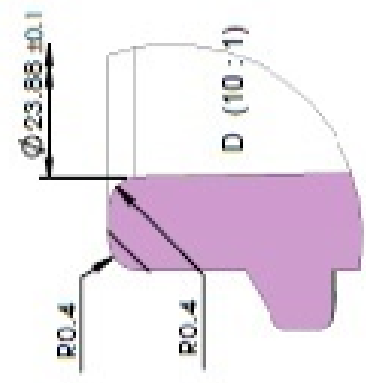
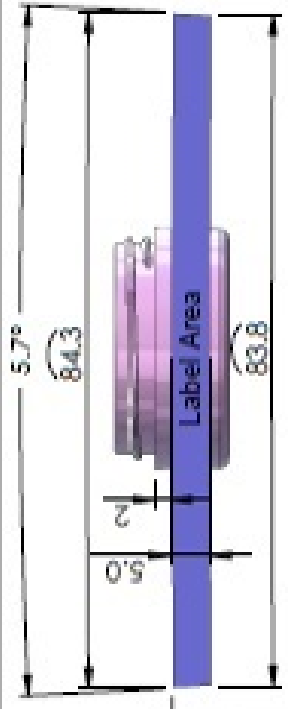
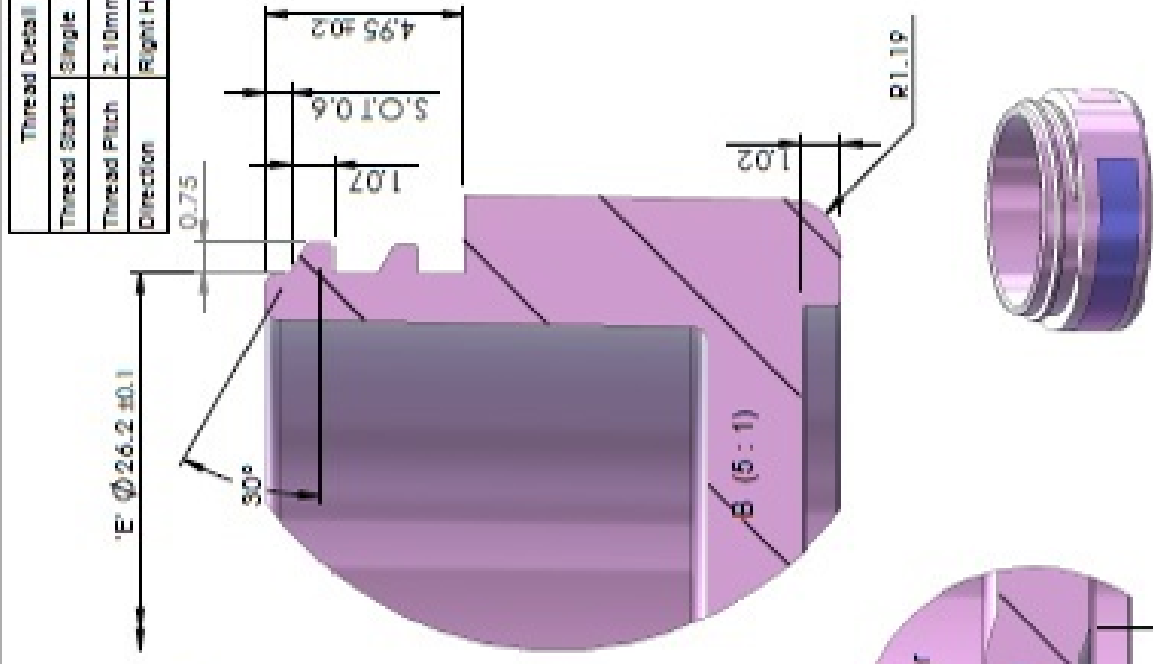


Thread Detail	
Thread Starts	Single
Thread Pitch	2.10mm
Direction	Right Hand



ISSUE	DATE SOLID	REQUEST NO.	NOTE: ALL DIMENSIONS & SCREENING AREA TO BE FINALISED POST DEVELOPMENT
2	30/01/2008	DC28/1/1027	BIT CAPACITY: 2 ± 0.5mm
		1) Update drawing to M&H product code was H020000-10A, now H120_A	MATERIAL: SAN
		2) Update to M&H drawing border	WEIGHT: 4.3 ± 0.4g
3	17/07/2009	Print & Label area added to the drawing	DRG. SCALE: 1:1
4	06/05/2010	DC28 H4/1704 Change the following: 1) 1'E' Dimension: Was Ø26.25 now Ø26.2 2) T Dimension: Was 2027.81 now 2027.7	SURFACE FINISH: Gloss
			CONTRACT
			ALL DIMENSIONS IN mm
			TOLERANCES UNLESS OTHERWISE STATED
			CONFORMS TO ISIRI:3000
			CUSTOMER:
			TRUE
			DRG. NO.
			CJ5C
			5ml Crystal Jar
			H120_A
			10.25.300-118(A)
			A4

